

LED DESK LAMP

DL-51

USER MANUAL



Thank you for purchasing DL-51. Please read instructions with care and operate DL-51 safely before use. We'd like to recommend you to keep instructions to use DL-51 well.

FCC (Federal Communications Commission)

- **Caution** : Any changes or modifications in construction of this device which are not expressly approved by the party responsible for compliance could void the user's authority to operate the equipment.
- **Note** : This equipment has been tested and found to comply with the limits for a Class B digital device, pursuant to part 15 of the FCC Rules. These limits are designed to provide reasonable protection against harmful interference in a residential installation. This equipment generates, uses and can radiate radio frequency energy and, if not installed and used in accordance with the instructions, may cause harmful interference to radio communications. However, there is no guarantee that interference will not occur in a particular installation. If this equipment does cause harmful interference to radio or television reception, which can be determined by turning the equipment off and on, the user is encouraged to try to correct the interference by one or more of the following measures:
 - Reorient or relocate the receiving antenna.
 - Increase the separation between the equipment and receiver.
 - Connect the equipment into an outlet on a circuit different from that to which the receiver is connected.
 - Consult the dealer or an experienced radio / TV technician for help.

Advantages of LED Desk Lamp



ECO-friendly light

It provides a safe, comfortable, consistent light that stimulates concentration without eye strain. It contains no mercury or environmentally harmful substances.



Low power consumption

It consumes 80% LESS power than a typical fluorescent light.



Extraordinary Long lifetime

Lasting 40 TIMES LONGER than a typical incandescent bulb. (Used 5 hours per day it will last up to 22 years)



Flicker Free Light

Reduced eye strain without the flickering present in both incandescent and fluorescent lights.

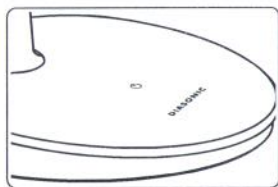
Natural Light

High Color Rendering Index (CRI) closes to natural sun light.

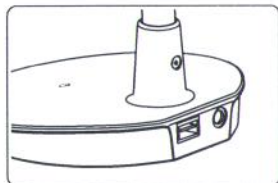
Color Rendering Index (CRI)?

Color Rendering Index (CRI) is the Index which shows how much the light source is close to natural sun light. The CRI of natural sun light is 100. The higher CRI index is, the closer to natural sun light.

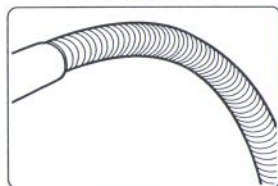
Appearance and operation method



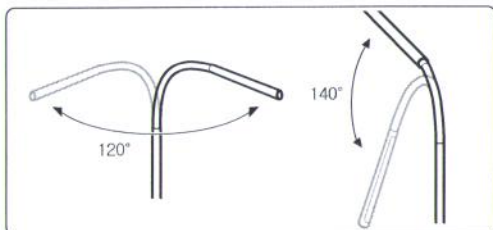
Convenient Touch button



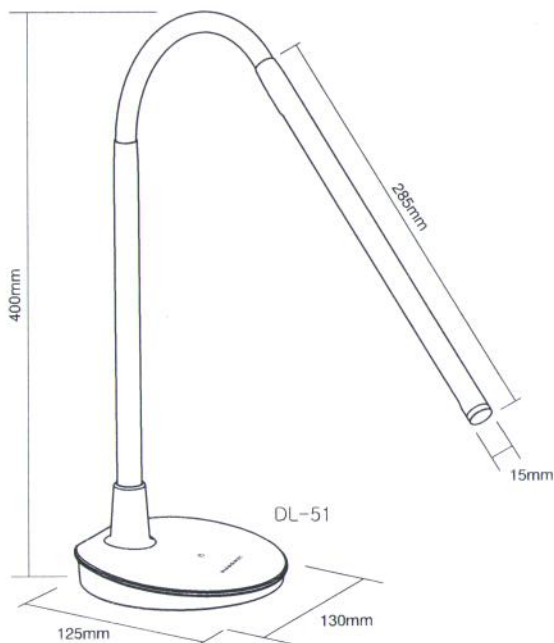
USB Charging port



Flexible adjustment



Free adjustable and flexible lamp neck (Easy direction control)



► Power ON/OFF

(DL-51 : Touch switch)

- Press the (⏻) power button (less than a sec) to turn on, press once again (less than a sec) to turn off

► Appropriate brightness selection

- Press and hold the (⏻) power button for more than a sec, brightness will repeatedly switched in 5 steps from 1 to 5
- Release your finger from the preferred brightness to complete the setting.

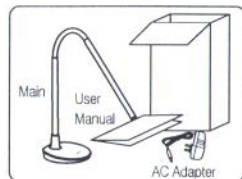
Brightness of classified mode

Unit : Lux, $\pm 100\text{Lux}$

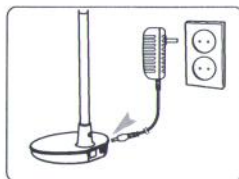
STEP	STEP1	STEP2	STEP3	STEP4	STEP5
DL-51	50	200	400	600	800

(Measurement : 35cm away from luminous side)

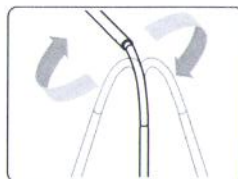
Assembly and Installation



1. Check contents of the full package.



2. Connect the AC adaptor into the adaptor socket located on the back of the body, and put the plug into the electric outlet.



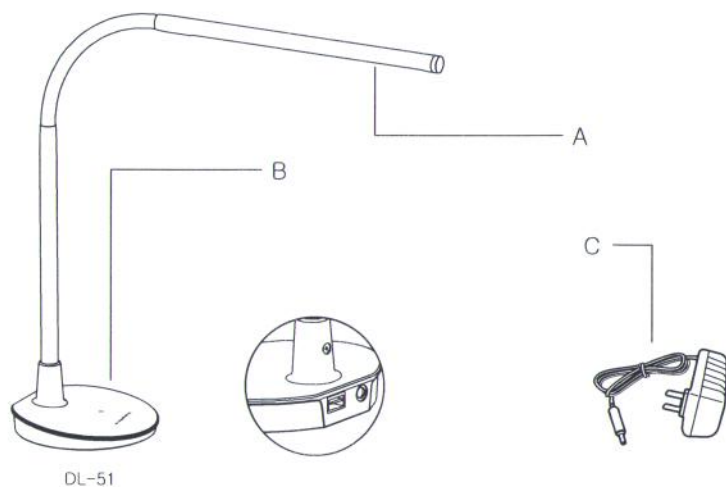
3. Adjust LED desk lamp to preferred angle.



4. Press the power switch when completing angle adjustment.

Product Composition

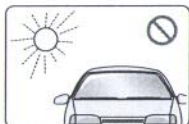
- A. LED Lamp
- B. DL-51 Base (Touch switch/USB Port)
- C. AC Adapter (Cable length 180cm)



Caution



Do not repair, disassemble, or modify under any circumstances.



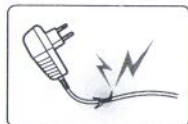
Do not place near any heat sources or in direct sunlight.



Place on flat, secure surface.



Use ONLY the supplied AC power adaptor.



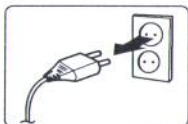
Do not use appliances with frayed or damaged electrical cords.



Do not touch electrical appliances with wet hands or when liquids are present.



Please keep the light and all appliances dry and clean.



Unplug adapter when the light will not be used for an extended time.



Clean only with a soft dry cloth and do not use solvents or cleaning solutions.



Never overload electrical circuits as it may cause electrical shock or fire.

Specification

MODEL	DL-51
Color Temp.(K)	3,500K ±500K
USB Port	USB *A*Type(Charge),DC 5V ---1.5A
CRI	Over 75
Brightness	Approx. 800/600/400/200/50 Lux ±100Lux
Life Time	40,000 hr
Power	AC/DC Adapter : AC 100~240V to DC 12V ---2A
Power consumption	LED : 8W (Charge Max : 19W)
Dimension	125mm(W:Base)x130mm(D:Base)x400mm(H)x235mm(LED)
Weight	Main : 695g (Set : 1,160g)
Operating Temp.	-10 ~ 40°C

(Measurement : 35cm away from luminous side)

Warranty Card

- Product : LED Desk Lamp
- Model : DL-51
- Warranty Period : 1year
- Purchase Date:

Purchaser	Name	
	Address	
	Telephone	
Seller	Name	
	Address	
	Telephone	

► For Repair or Service

If the product stops working correctly, discontinue its use and contact to the service center where you purchased.

► Repair Policy

1. This product has passed strict quality control and testing process.
2. Failure of the product under normal operating conditions, during the warranty period may be repaired by Dasonic or our authorized service organization free of charge. Some shipping or handling charges may be involved.
3. For the following cases, some service fees will be charged.
 - 1) When the product is damaged due to user's mishandling, abuse, or improper operation.
 - 2) When the product is damaged due to user's modification, attempted repair, or otherwise access to sealed/non-user serviceable items.
 - 3) When the product is damaged due to fires, pollution, earthquakes and any other natural or unnatural conditions, accidents, etc.
4. It will be at the sole discretion of the authorized service center to determine the qualification of the warranty service. Original purchase invoice and other documentation may be required to verify qualification of service.